

# CMCS15

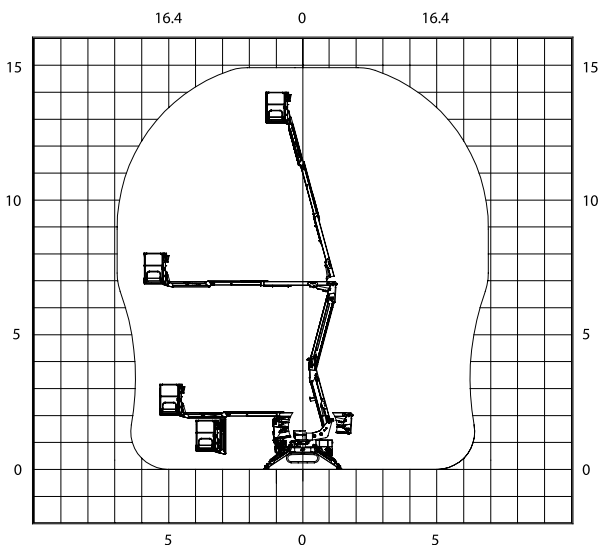
Simple, intuitive, compact. Featuring class leading closed dimensions and full height and outreach available with 200kgs capacity in the basket.

| Performance              | Measurements |
|--------------------------|--------------|
| Max working height       | 14.9m        |
| Max horizontal outreach  | 6.9m         |
| Max basket capacity      | 200kg        |
| Jib movement             | 90°          |
| Turret rotation          | 356°         |
| Max slope to stabilise   | 12%          |
| Max travel slope         | 30%          |
| Max approach angle       | 23%          |
| Max side slope to travel | 10%          |
| Max travel speed         | 1.1km/h      |

| Dimensions                     | Measurements     |
|--------------------------------|------------------|
| Total length (without basket)  | 3.48m            |
| Total length (with basket)     | 4.12m            |
| Height in travel position      | 1.97m            |
| Width with basket removed      | 0.78m            |
| Basket dimensions (HxLxW)      | 1.1 x 1.4 x 0.7m |
| Ground clearance               | 0.34m            |
| Stabiliser base width x length | 2.7 x 2.7m       |
| Stabiliser foot diameter       | 0.18m            |

| Weights                          | Measurements           |
|----------------------------------|------------------------|
| Gross weight with Honda          | 1955kg                 |
| Gross weight with Kubota         | 2055kg                 |
| Max pressure on stabiliser foot  | 4.54kg/cm <sup>2</sup> |
| Max pressure on tracks           | 0.21kg/cm <sup>2</sup> |
| Traffic load in travel position  | 312kg/m <sup>2</sup>   |
| Traffic load in working position | 246kg/m <sup>2</sup>   |

The manufacturer reserves the right to alter specification without prior notice.



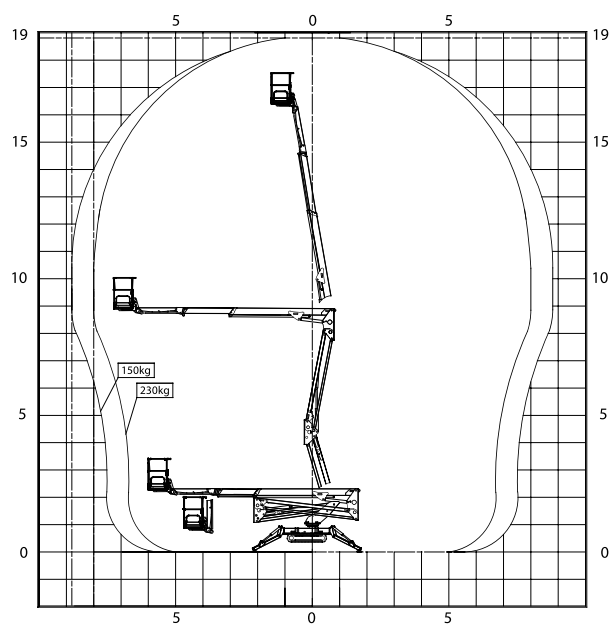
# CMCS19

The S15's big brother, with the same simple and compact features, but with more height, outreach and a 230kgs basket capacity.

| Performance              | Measurements |
|--------------------------|--------------|
| Max working height       | 18.8m        |
| Max horizontal outreach  | 8.8m         |
| Max basket capacity      | 230kg        |
| Jib movement             | 90°          |
| Turret rotation          | 356°         |
| Max slope to stabilise   | 9%           |
| Max travel slope         | 36%          |
| Max approach angle       | 19%          |
| Max side slope to travel | 10%          |
| Max travel speed         | 1.1km/h      |

| Dimensions                     | Measurements     |
|--------------------------------|------------------|
| Total length (without basket)  | 4.48m            |
| Total length (with basket)     | 5.12m            |
| Height in travel position      | 1.97m            |
| Width with basket removed      | 0.78m            |
| Basket dimensions (HxLxW)      | 1.1 x 1.4 x 0.7m |
| Ground clearance               | 0.23m            |
| Stabiliser base width x length | 2.8 x 3.58m      |
| Stabiliser foot diameter       | 0.18m            |

| Weights                          | Measurements           |
|----------------------------------|------------------------|
| Gross weight with Honda          | 2500kg                 |
| Gross weight with Kubota         | 2500kg                 |
| Max pressure on stabiliser foot  | 6.34kg/cm <sup>2</sup> |
| Max pressure on tracks           | 0.87kg/cm <sup>2</sup> |
| Traffic load in travel position  | 313kg/m <sup>2</sup>   |
| Traffic load in working position | 205kg/m <sup>2</sup>   |



## Book a demo

Please call us to arrange a demonstration

**01246 540972**

Ranger Equipment Ltd t/as SPIDERLIFT®  
Unit P2 McGregor's Way, Turnoaks Business Park, Chesterfield S40 2WB  
T 01246 540972 E sales@spiderlift.co.uk www.spiderlift.co.uk

